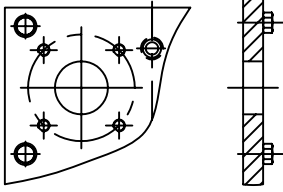
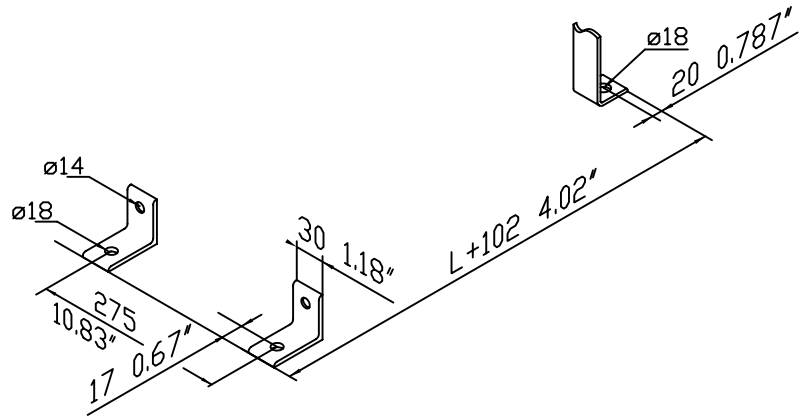


CONNECTIONS:

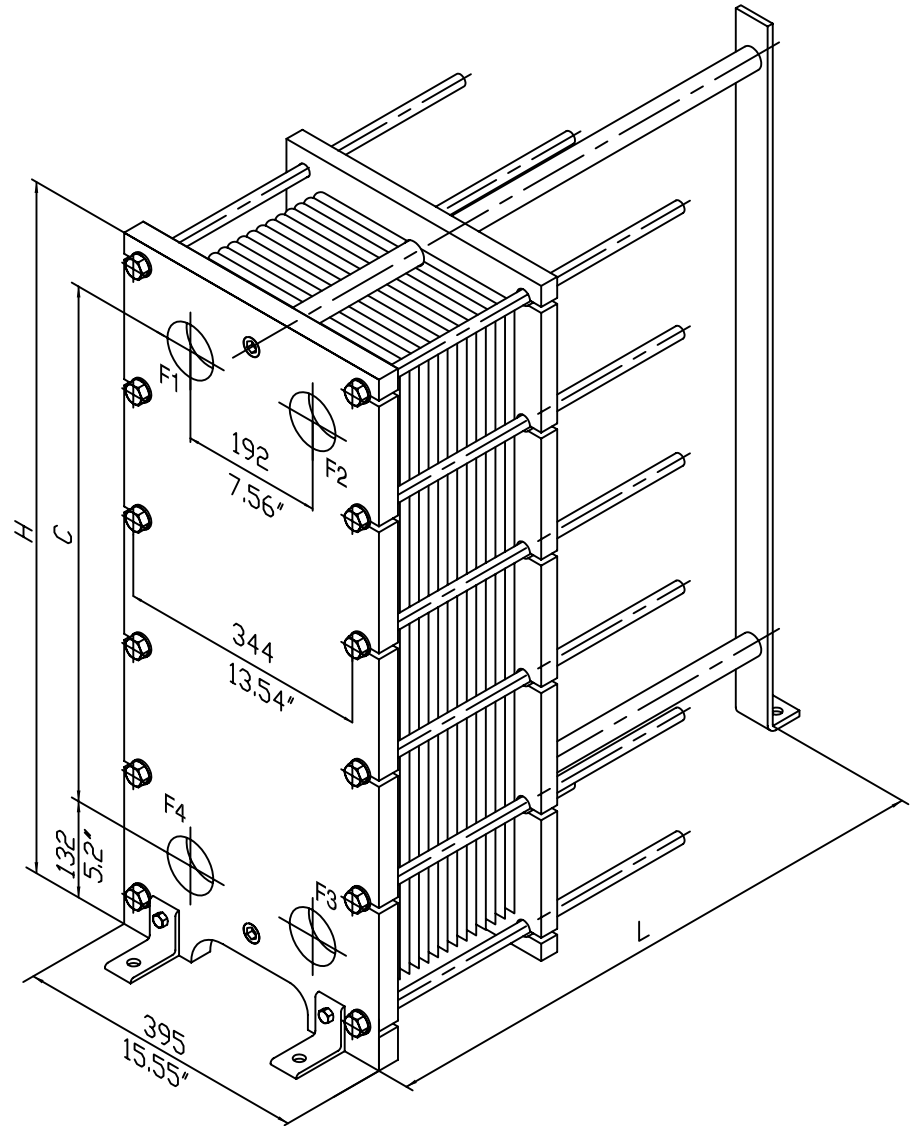


FLANGE DN65 PN16

MOUNTING



FRAME



SUBJECT TO CHANGE IN CONSTRUCTION CONDITIONS

FRAME SIZE	DIMENSION H	DIMENSION C
S9a	626/24.65"	380/14.96"
S19a	946/37.24"	700/27.56"
S31a	1296/51.02"	1050/41.34"



**SONDEX**

Jernet 9  
DK-6000 Kolding

PLATE HEAT EXCHANGER GROUP:

S9a / S19a / S31a - IG - PN10

DWG. FILE NO.:  
9a-IG-PN10

DRAWN:  
I.C.L.

DATE:  
22.04.08 LGK

REV. NR.:  
9