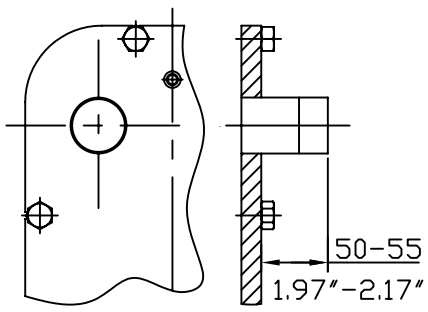
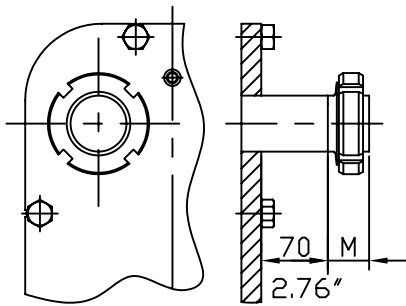


CONNECTIONS:

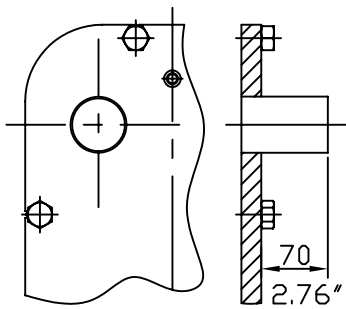


THREADED PIPE

MOUNTING

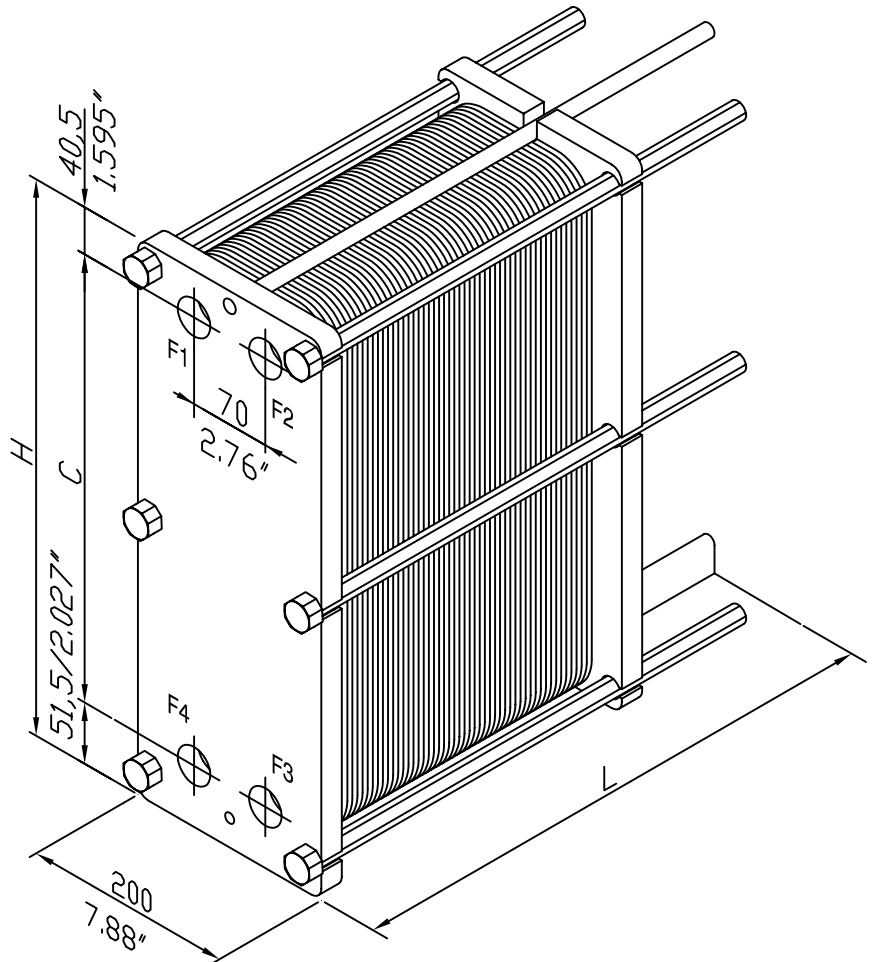


DAIRY UNION
M ACCORDING TO STANDARD



DAIRY PIPE

FRAME



SUBJECT TO CHANGE IN CONSTRUCTION CONDITIONS

FRAME SIZE	DIMENSION H	DIMENSION C
S4a	473/18.62"	381/15"
S8a	748/29.45"	656/25.83"



SONDEX

Jernet 9
DK-6000 Kolding

PLATE HEAT EXCHANGER GROUP:

S4a / S8a - FG / IG PN16

DWG. FILE NO.:
S4a-S8a-FG-IG-PN16

DRAWN:
BTØ

DATE:
22.04.08 lgk

REV. NR.:
6