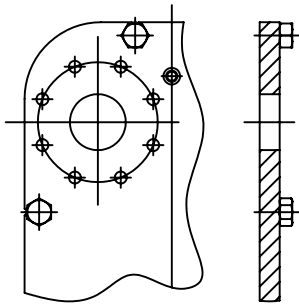
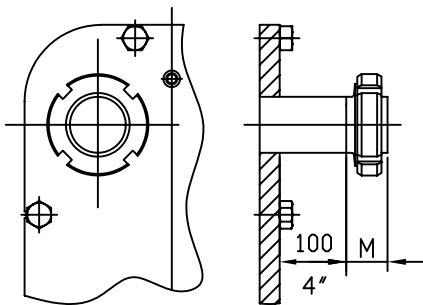
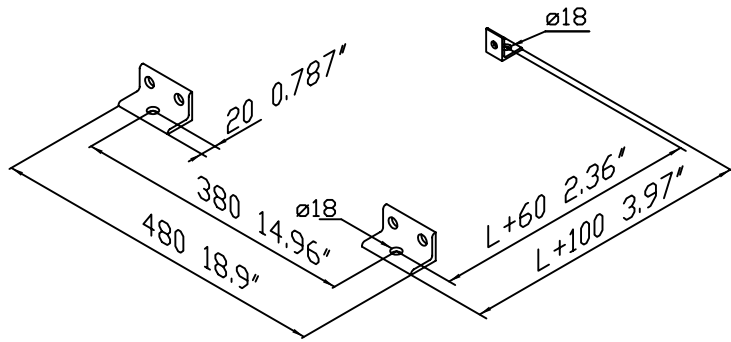


CONNECTIONS:

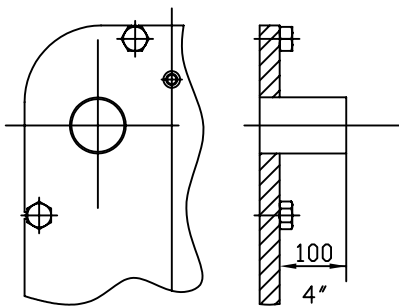


FLANGE

MOUNTING

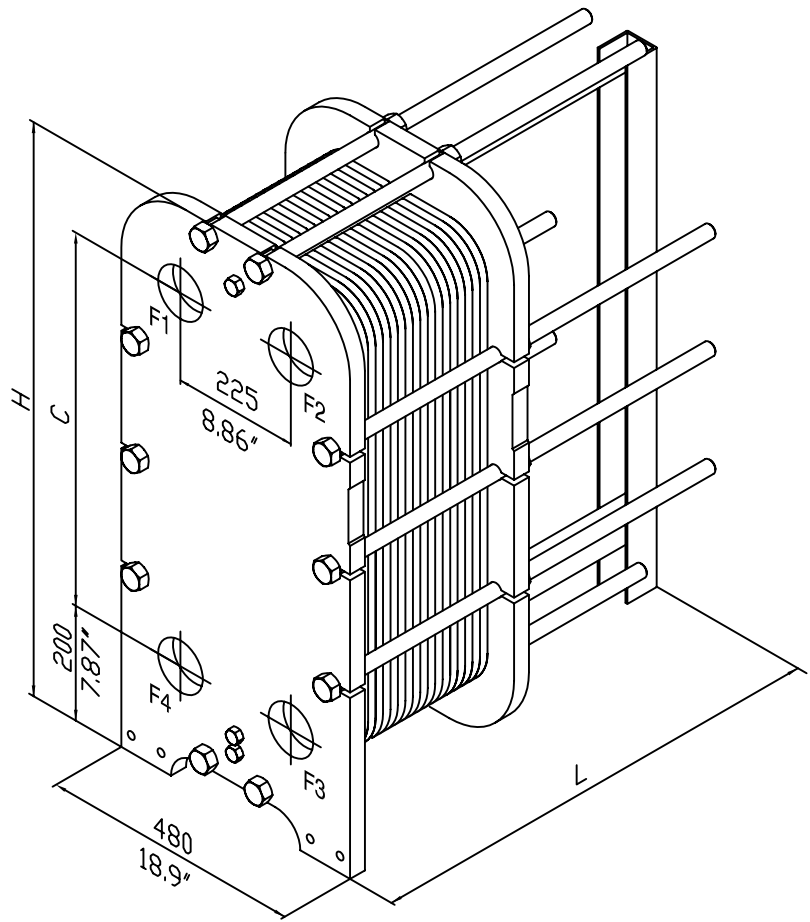


DAIRY UNION  
M ACCORDING TO STANDARD



DAIRY PIPE


FRAME



SUBJECT TO CHANGE IN CONSTRUCTION CONDITIONS

L = 400 - 1000  
L = 15.75" - 39.37"

FRAME SIZE	DIMENSION H	DIMENSION C
S21a/S22	1069/42.09"	719/28.31"
S47	1715/67.52"	1365/53.74"
S64	2121/83.50"	1771/69.72"



**SONDEX**  
Jernet 9  
DK-6000 Kolding

PLATE HEAT EXCHANGER GROUP:

**S21a/ S22/ S47/ S64 - IG PN10**

DWG. FILE NO.:	DRAWN:	DATE:	REV. NR.:
S21a-S22-S47-S64-IG-PN10	LGK	22.04.08	2