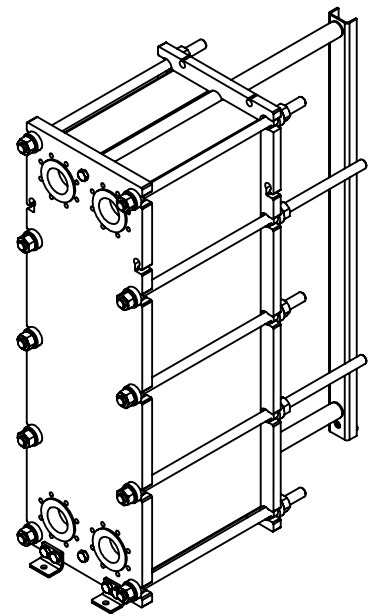
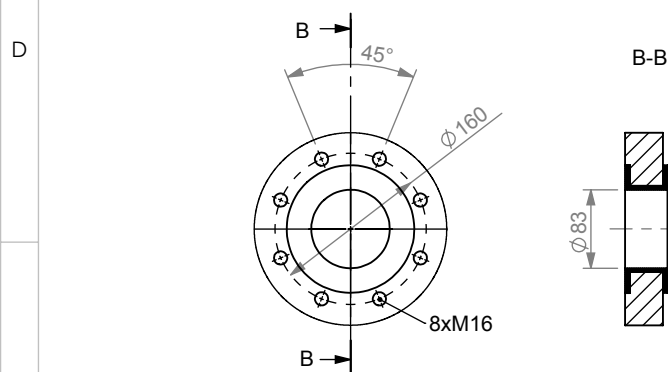


Anschluß / Connection / Raccordements
K1 - K4



Pos./ item / Article	DN	Norm / Standard / Norme	Material / material / Matériel
K1 - K4	80	DIN 2501	NBR / EPDM
Typ/Model/Type	EL 400 ECFL	EL 400 ECFL	EL 400 ECFL
PN [bar]	16	16	16
S 1 [mm]	40	40	40
S 2 [mm]	30	30	30
L 1 [mm]	500	1000	1500
L 2 [mm]	625	1125	1625
L 3 [mm]	665	1165	1665

Lackierung:
painting: RAL 5018
laquage: