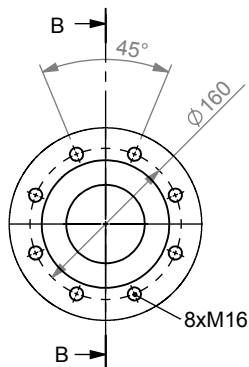
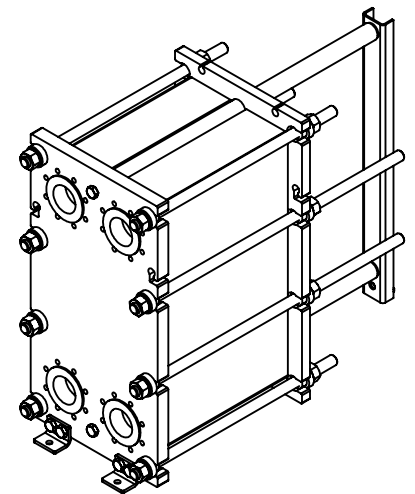
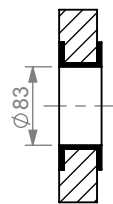


Anschluß / Connection / Raccordements
K1 - K4



B-B



Pos./ item / Article	DN	Norm / Standard / Norme		Material / material / Matériel		
K1 - K4	80	DIN 2501		NBR / EPDM		
Typ/Model/Type	EL 200 EBFL	EL 200 ECFL	EL 200 EBFL	EL 200 ECFL	EL 200 EBFL	EL 200 ECFL
PN [bar]	10	16	10	16	10	16
S 1 [mm]	30	40	30	40	30	40
S 2 [mm]	30	30	30	30	30	30
L1 [mm]	500		1000		1500	
L2 [mm]	615	625	1115	1125	1615	1625
L3 [mm]	655	665	1155	1165	1655	1665

Lackierung:
painting: RAL 5018
laquage: