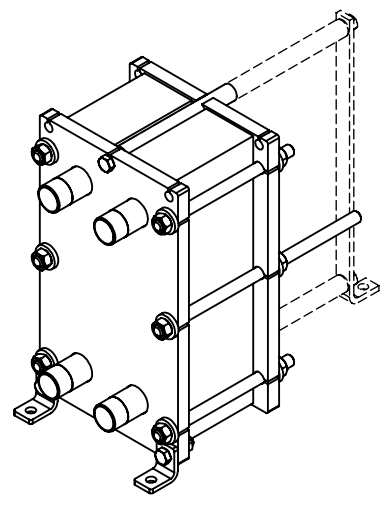
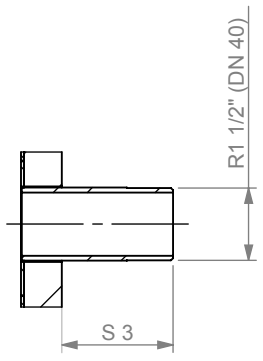


Anschluss / Connection / Raccordements
K1 - K4



Lackierung:
painting: RAL 5018
laquage:

| Typ/Model/Type | EL 50 ECCL | |
|----------------|------------|-----|
| PN [bar] | 16 | |
| S 1 [mm] | 25 | |
| S 2 [mm] | 25 | |
| S 3 [mm] | 75 | |
| L 1 [mm] | 250 | 500 |
| L 2 [mm] | 361 | 611 |
| L 3 [mm] | 415 | 665 |

| Pos./ item / Article | DN | Norm / Standard / Norme | Material / material / Matériel |
|----------------------|---------------|-------------------------|--------------------------------|
| K1 - K4 | 1 1/2" (DN40) | DIN 2999 | 1.4571 |



Angebotskizze (Technische Änderungen vorbehalten)
Sketch of offer (Subject to Technical Modifications)
Plan (Sous réserve de confirmation après commande)

| | | | |
|------------------|----------------|-------------|----------------|
| Dok.Nr.: doc.no. | EL 50 ECCL-A-Z | | |
| Datum date | 06.03.09 | 17.03.09 | 17.03.09 |
| Name name | God | Tpf | Slz |
| | gez./draw | gepr./check | freig./approx. |

Benennung
Plattenwärmeübertrager
Plate heat exchanger
Echangeur de chaleur a plaques

Typ: EL 50 ECCL