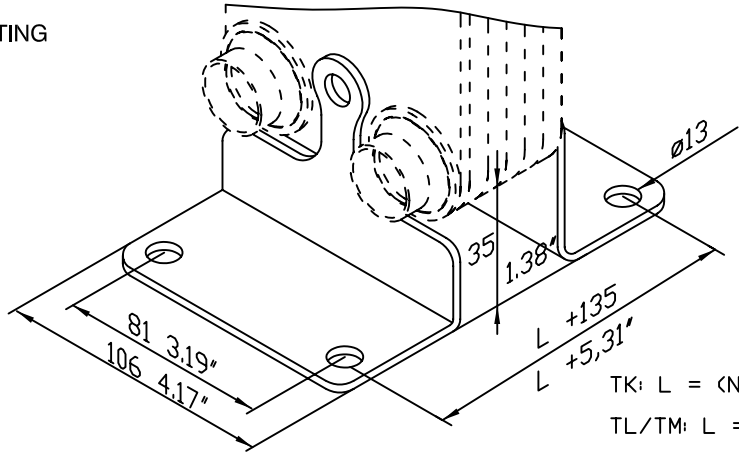
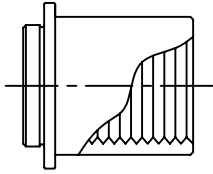


MOUNTING

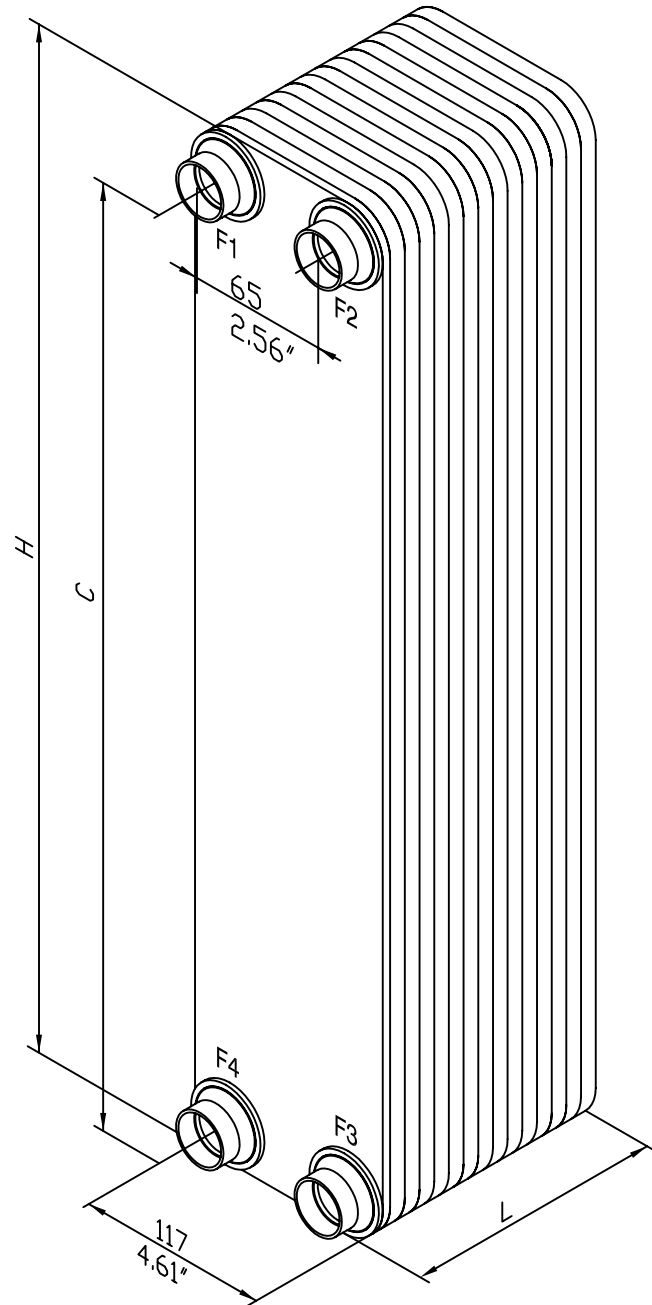


TK: $L = (N \times 2,9) + 9$
 TL/TM: $L = (N \times 2,4) + 9$



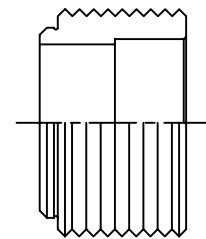
FRAME

BI : G 1 (ISO7 - R 1 [1 BSP])
 II : 1 NPT
 CI : G 1 1/2 (ISO7 - R 1 1/2 [1 1/2 BSP])
 JI : 1 1/2 NPT



SUBJECT TO CHANGE IN CONSTRUCTION CONDITIONS

B : G 1 (ISO7 - R 1 [1 BSP])
 STANDARD/ $\varnothing 35,2$
 H : 1 NPT/ $\varnothing 22,3$



BO : G 1 1/4 ISO7 - R 1 1/4 [1 1/4 BSP])
 $\varnothing 35,2$
 C : G 1 1/2 (ISO7 - R 1 1/2 [1 1/2 BSP])
 $\varnothing 35,2$
 J : 1 1/2 NPT STANDARD/ $\varnothing 35,2$

FRAME SIZE

DIMENSION H

DIMENSION C

SL70

498/19.61"

446/17.56"

PLATE HEAT EXCHANGER GROUP:

SL70

DWG. FILE NO.:
SL70

DRAWN:
AS

DATE:
13.11.08 JKD

REV. NR.:
7



SONDEX

Jernet 9
DK-6000 Kolding