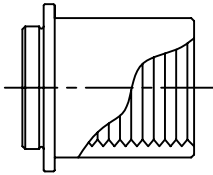
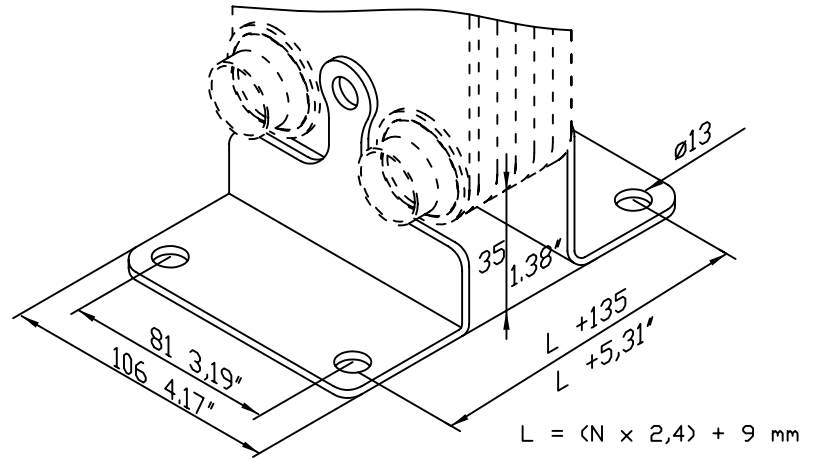


MOUNTING



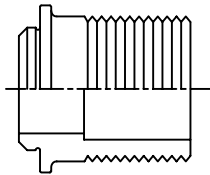
FRAME

BI : G 1 (ISO7 - R 1 [1 BSP])

II : 1 NPT

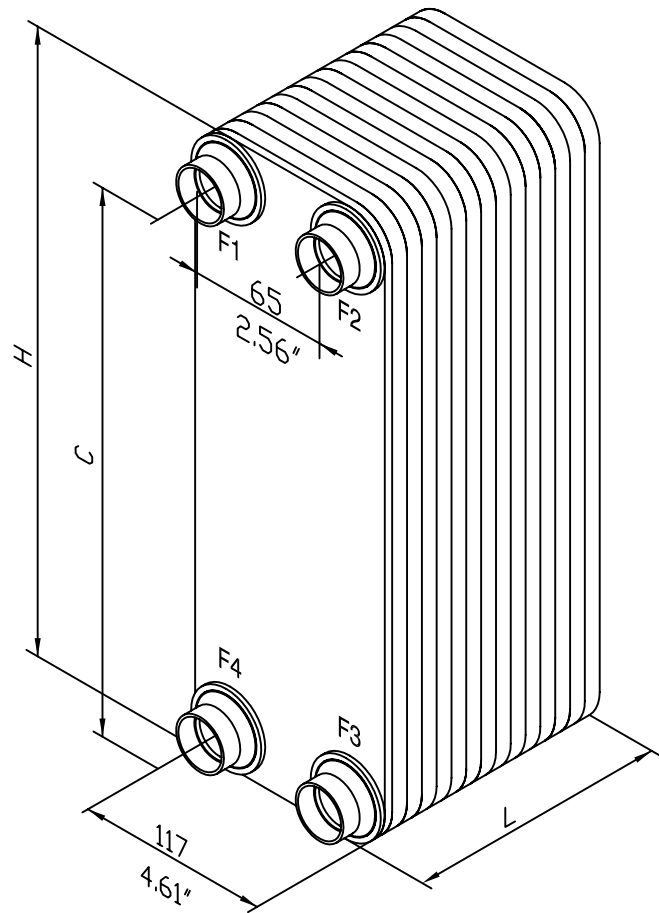
CI : G 1 1/2 (ISO7 - R 1 1/2 [1 1/2 BSP])

JI : 1 1/2 NPT

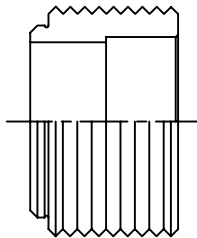


B : G 1 (ISO7 - R 1 [1 BSP])
STANDARD/Ø35,2

H : 1 NPT/Ø22.3



SUBJECT TO CHANGE IN CONSTRUCTION CONDITIONS



C : G 1 1/2 (ISO7 - R 1 1/2 [1 1/2 BSP])
/Ø35,2

J : 1 1/2 NPT/Ø35,2

FRAME SIZE

DIMENSION H

DIMENSION C

SL34

294/11.57"

242/9.53"

PLATE HEAT EXCHANGER GROUP:

SL34



SONDEX

Jernet 9
DK-6000 Kolding

DWG. FILE NO.:
SL34

DRAWN:
AS

DATE:
13.11.08 JKO

REV. NR.:
7