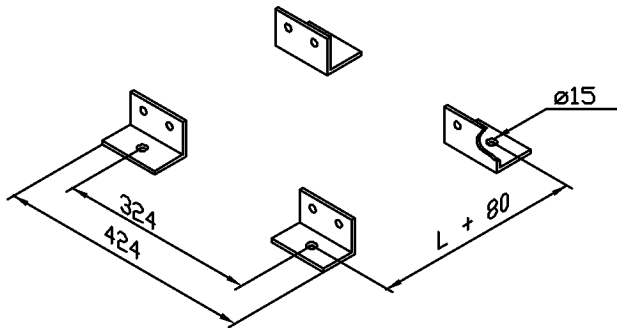
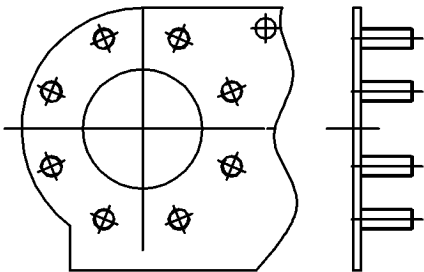


MOUNTING

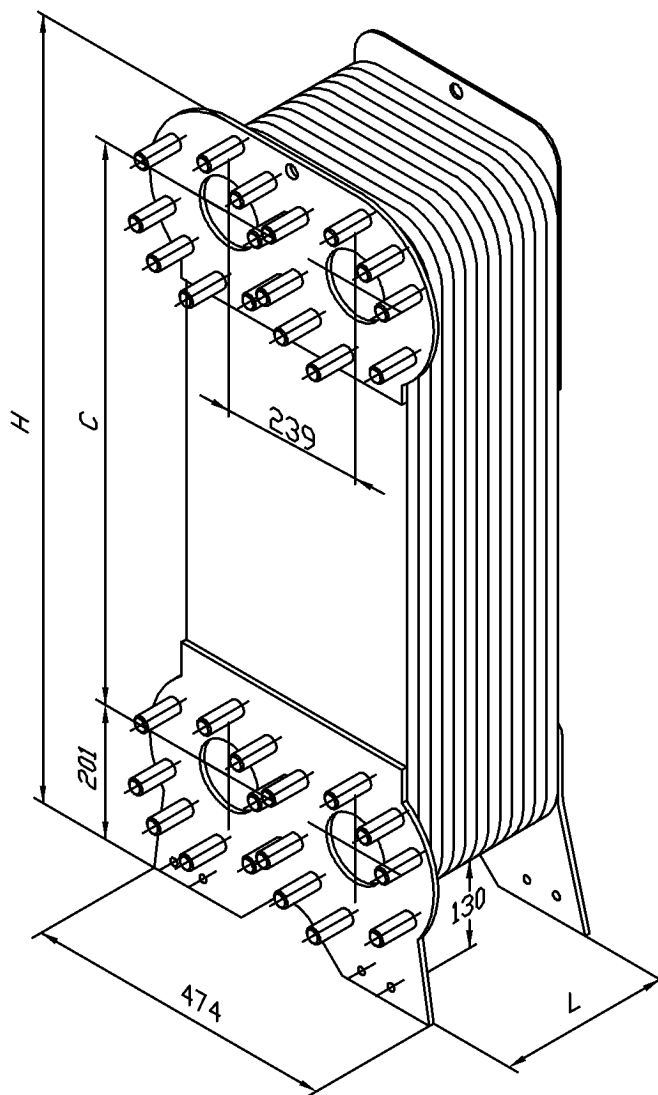


CONNECTIONS:



FLANGE

FRAME



SUBJECT TO CHANGE IN CONSTRUCTION CONDITIONS

FRAME SIZE

DIMENSION H

DIMENSION C

SL333

1180

862

PLATE HEAT EXCHANGER GROUP:

**SL 333**



**SONDEX**

Jernet 9  
DK-6000 Kolding

DWG. FILE NO. SL333

DRAWN AS

DATE 09.01.04

REV. NR. 1