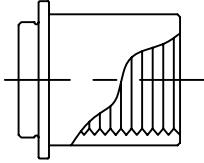
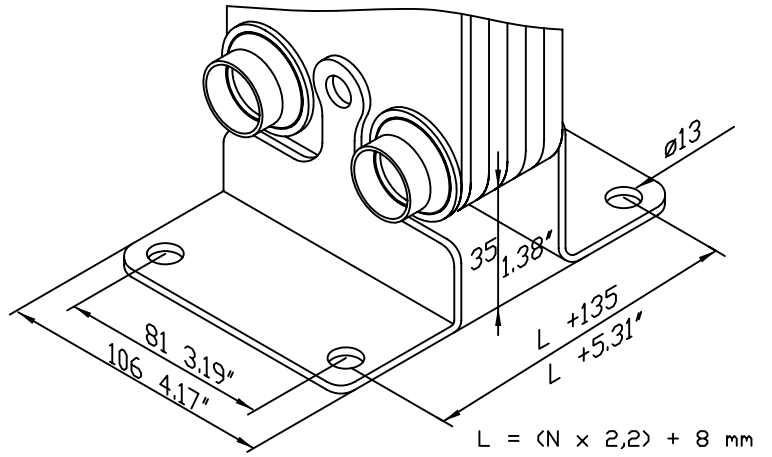


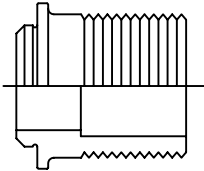
MOUNTING



FRAME

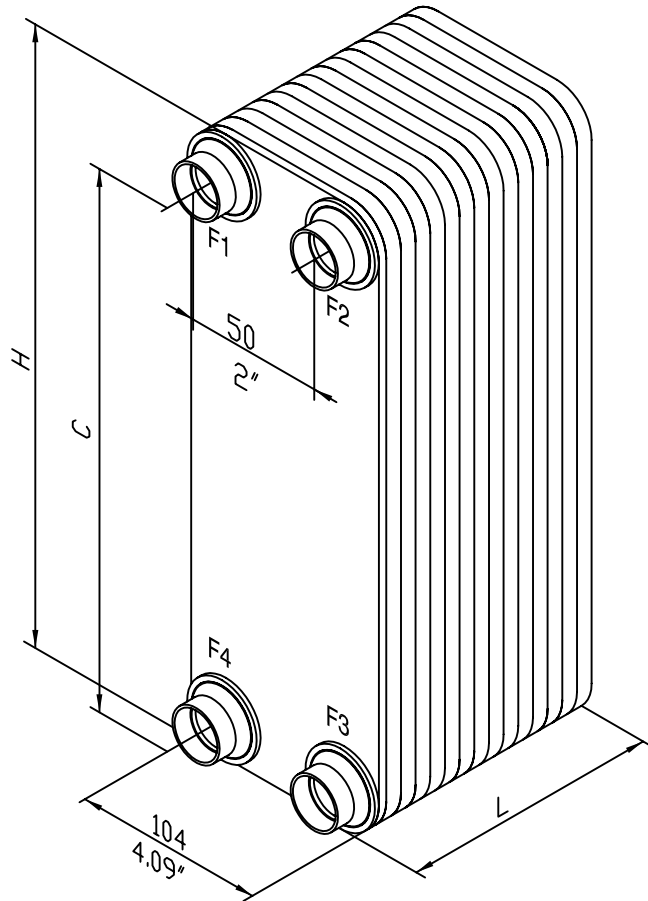
BI : G 1 (ISO7 - R 1 [1 BSP])

II : 1 NPT



B : G 1 (ISO7 - R 1 [1 BSP])
STANDARD/Ø22,3

U : 1 NPT STANDARD/Ø22,3



SUBJECT TO CHANGE IN CONSTRUCTION CONDITIONS

FRAME SIZE

DIMENSION H

DIMENSION C

SL32

304/11.95"

250/9.84"

PLATE HEAT EXCHANGER GROUP:

SL32

DWG. FILE NO.:
SL32

DRAWN:
ICL

DATE:
13.11.08 JKD

REV. NR.:
6



SONDEX

Jernet 9
DK-6000 Kolding