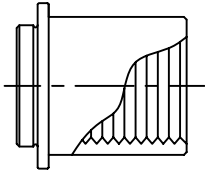
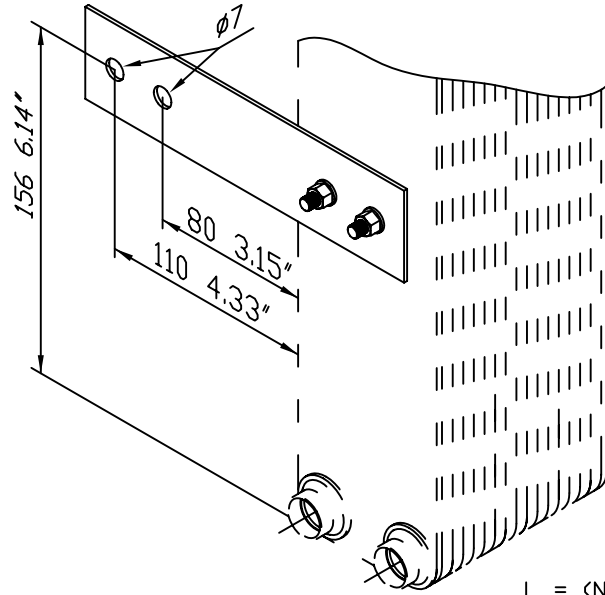
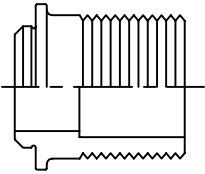


MOUNTING



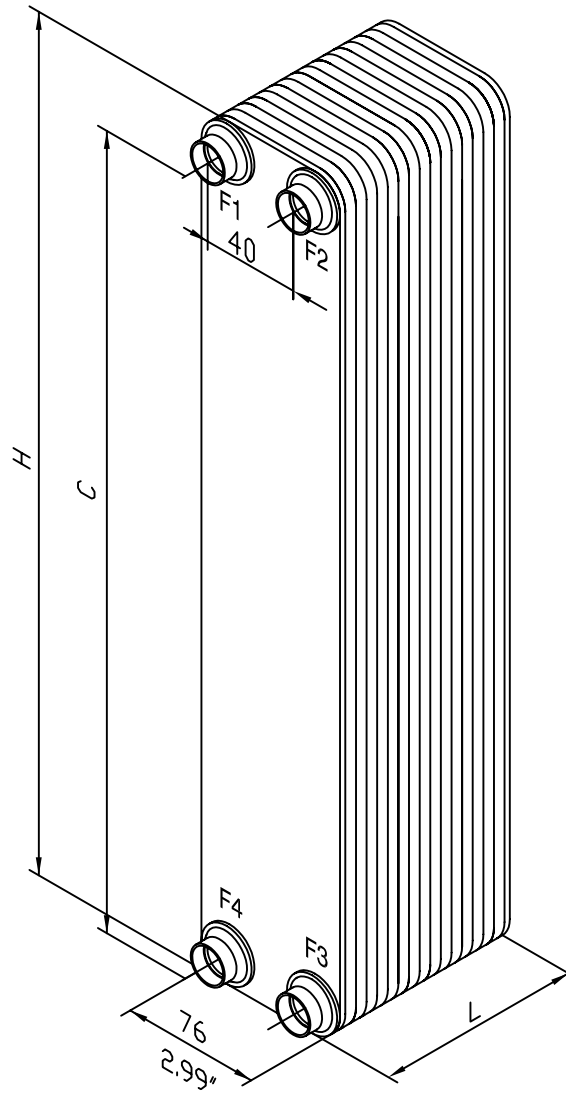
G1 : G 1/2 (ISO7 - R 1/2 [ 1/2 BSP ] )

FRAME



A : G 3/4 (ISO7 - R 3/4 [ 3/4 BSP ] )  
STANDARD/Ø18,2

H : 3/4 NPT STANDARD/Ø18,2



SUBJECT TO CHANGE IN CONSTRUCTION CONDITIONS

FRAME SIZE

DIMENSION H

DIMENSION C

SL23

315/12.40"

278/10.94"

PLATE HEAT EXCHANGER GROUP:

SL23

DWG. FILE NO.:  
SL23

DRAWN:  
AS

DATE:  
13.11.08 JKO

REV. NR.:  
7



**SONDEX**

Jernet 9  
DK-6000 Kolding