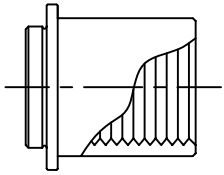
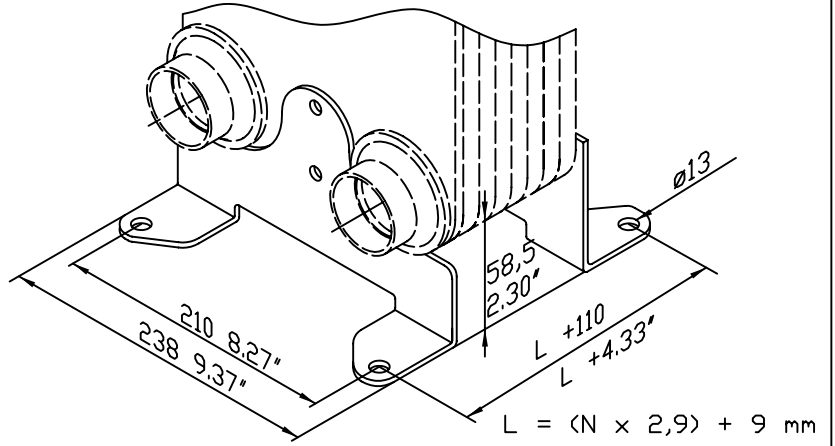
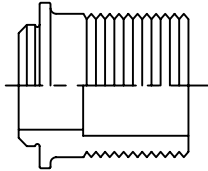


MOUNTING



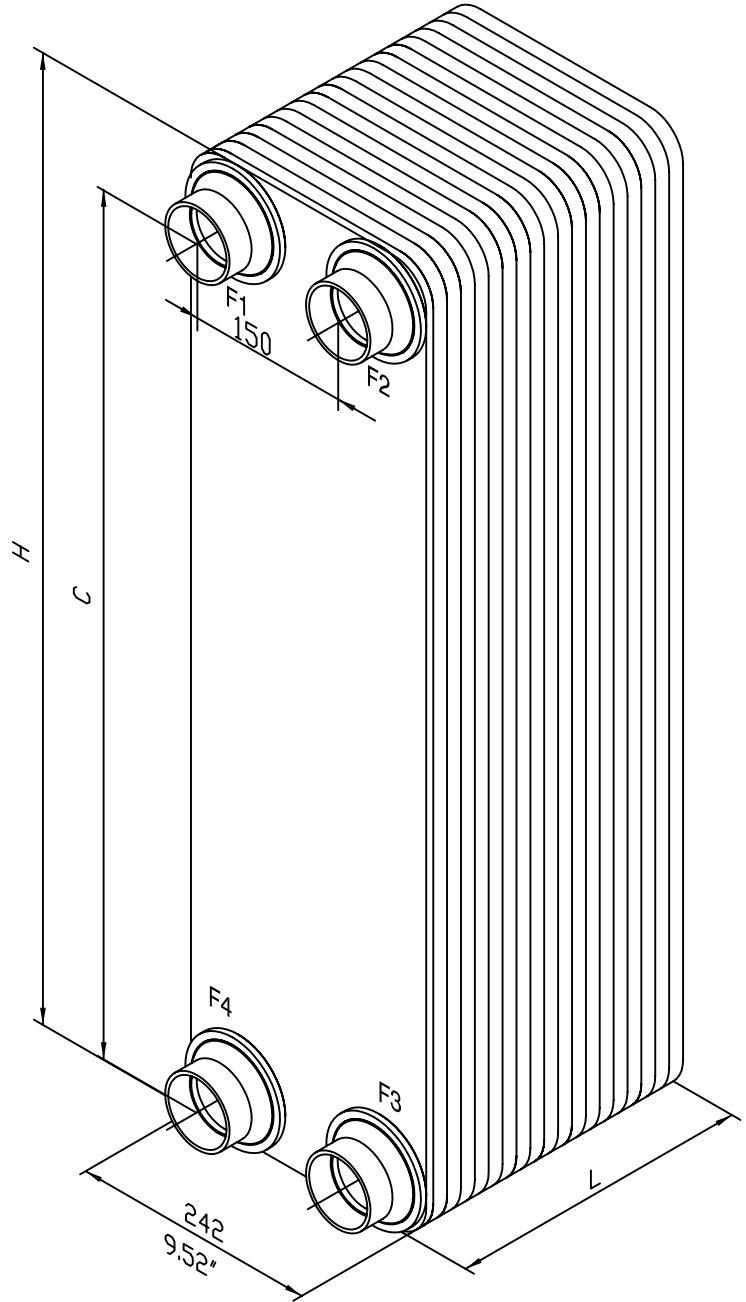
EI : G 2 1/2 (ISO7 - R 2 1/2 [2 1/2 BSP])

FRAME



E : G 2 1/2 (ISO7 - R 2 1/2 [2 1/2 BSP])
STANDARD/ø54,2

L : 2 1/2 NPT STANDARD/ø54,2



SUBJECT TO CHANGE IN CONSTRUCTION CONDITIONS

FRAME SIZE

DIMENSION H

DIMENSION C

SL140

611/24.03"

520/20.47"

PLATE HEAT EXCHANGER GROUP:

SL140

DWG. FILE NO.:
SL140

DRAWN:
AS

DATE:
13.11.08 JKO

REV. NR.:
7



SONDEX

Jernet 9
DK-6000 Kolding